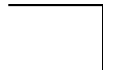


I Q W
' L R Q
M \

W H F W L I L
W V K R P H D
L R Q D S S O

O L W \

G H U D E O H S



(€ p⁰⁴ C16

\ D Q J M L H F



+ ' 6 7+58 + ' 6

v7KHUPDO &KDUDÄ7Y HUL&WQIFVV RWKHUŽLVH VSHFLILHG

3\$5\$0(7(5

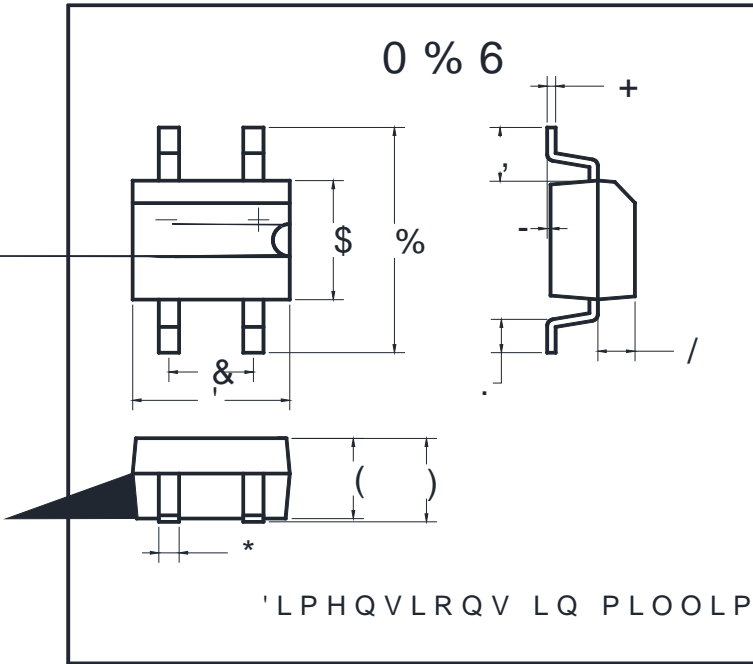
6<0%2/ 81,7

+ ' 6



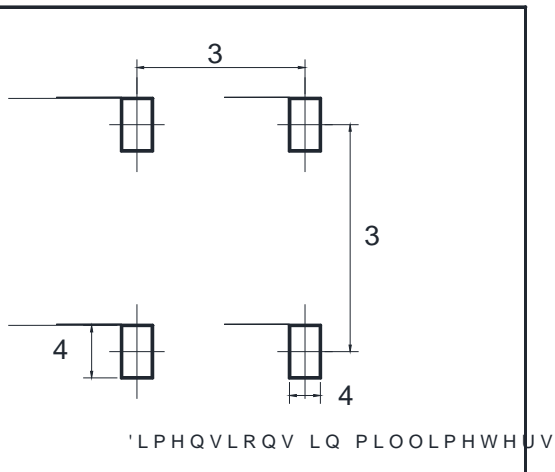
+ ' 6 7+58 + ' 6

v 2XWOLQH 'LPHQVLRQV



0 % 6		
'LP	0LQ	0D
\$		
%	0D[
&		
'		
(
)	0D[
*		
+		
,		
-	0D[
.		
/		

v 6XJJHVWHG SDG OD\RXW



'LP	0LQ
3	
3	
4	
4	



+ ' 6 7+58 +' 6

'LVFODLPHU

7KH LQIRUPDWLRQ SGRV ~~MDMH~~ LQ IR ~~KL~~LVHIHUUHQFH RQO